

# WILLY VAC.com

By Wallace Marine Services, Inc.



**Clean Your  
Engine Room  
And Bilge  
The Easy Way**

**Bill Wallace**  
843-693-4336  
villmarine@tds.net  
www.WillyVac.com

**Installation, Operation, and Troubleshooting Manual**

NOTES

---

---

---

---

---

---

---

---

---

---

---

---

---

---

---

---

---

---

---

---

---

---

---

---

---

---

---

---

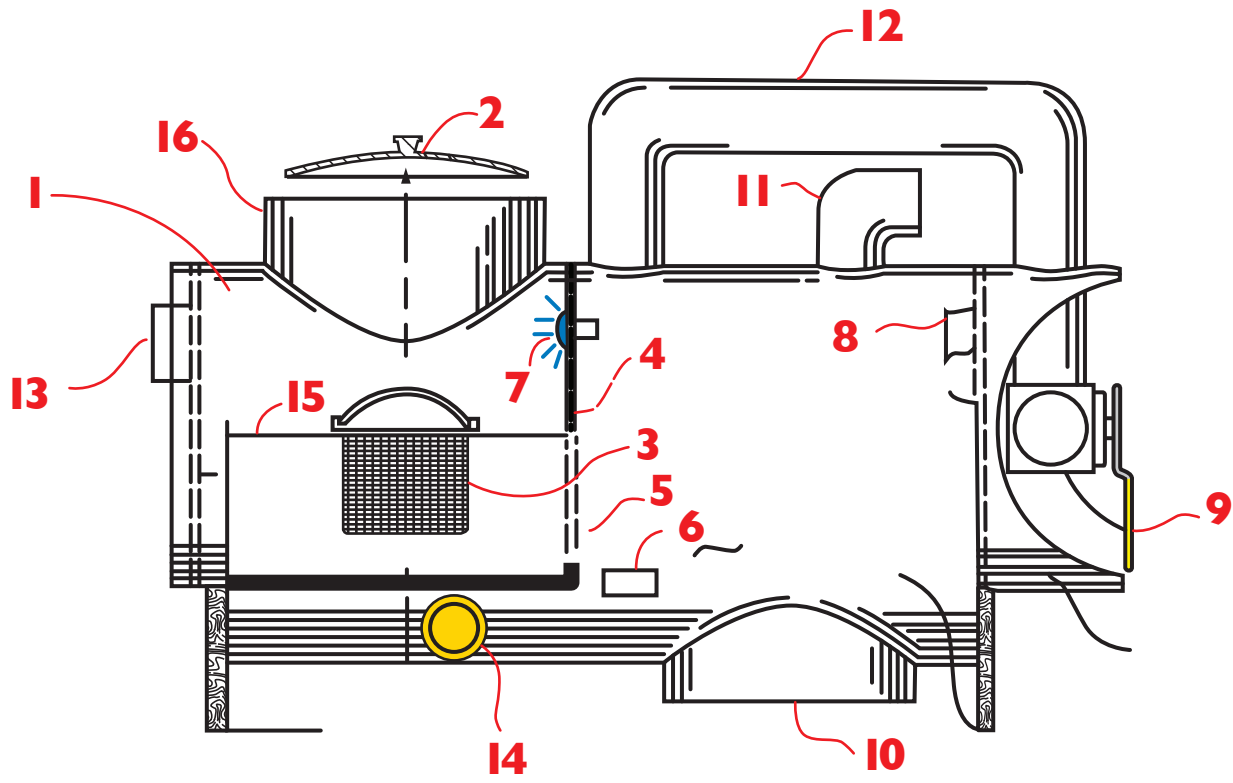
---

---

# WILLY VAC.com

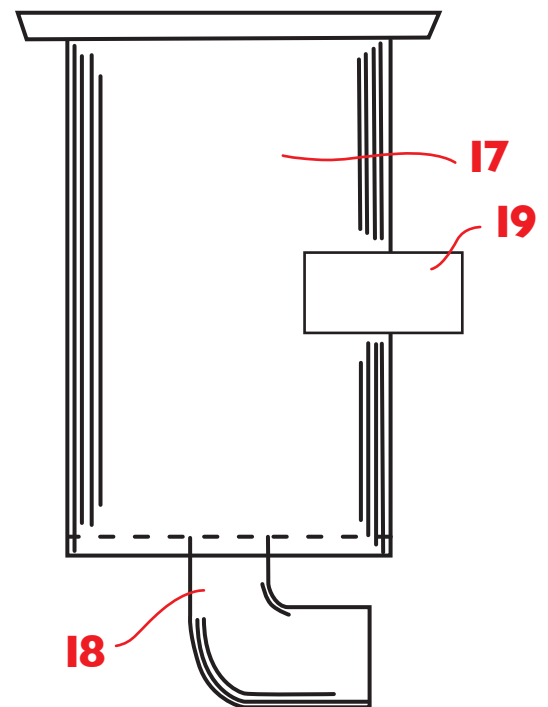
## TABLE OF CONTENTS

- Getting Started ..... 5
  - Determine the Location of the Parts ..... 5
- Installation ..... 6
- Operation ..... 10
  - Manual Operation ..... 10
  - Automatic Operation ..... 12
- Troubleshooting ..... 13
  - Sensors—Overview ..... 13
  - How to Clean the Sensors ..... 14
- Plumbing and Wiring Overview ..... 15



**Figure 1: Legend for Pump Assembly**

- 1. **Sump Assembly Housing**
- 2. **Lid**
- 3. **Strainer Basket**
- 4. **Solid ½ Wall**
- 5. **Perforated ½ Wall**
- 6. **Sensor #1**
- 7. **Blue LED Light**
- 8. **Sensor #2**
- 9. **Diverter Valve**
- 10. **Pump Access**
- 11. **Air Outlet Fitting (To Vacuum Motor)**
- 12. **U-Tube**
- 13. **Inlet Fitting**
- 14. **Sump Drain**
- 15. **Perforated Shelf**
- 16. **Strainer Access**



**Figure 2: Legend for Vacuum Motor**

- 17. **Vacuum Motor Housing**
- 18. **Vacuum Inlet Fitting (From Sump Assembly)**
- 19. **Air Discharge**

# WILLY VAC.com

## GETTING STARTED

### Determine the Location of the Parts

Before you start the installation process, familiarize yourself with all the Willy Vac components and what they do. Every boat is different, and every captain's needs are different.

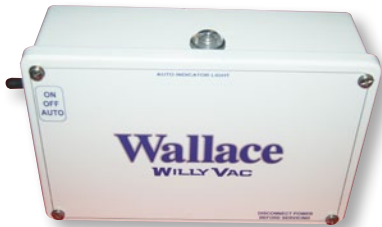
**NOTE:** Plan the hose and wire routing as you decide on your equipment locations.



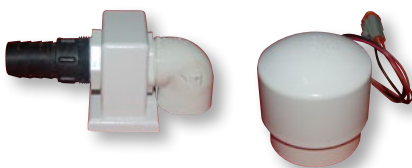
**a. Sump Assembly:** Should be installed as low as possible, but no higher than 30 inches from the lowest section of the keel from which you will be vacuuming. You also want to have easy access to the lid/strainer basket, the drain, and the diverter valve. The sump assembly comes with a 20 ft wiring harness.



**b. Vacuum Motor:** Should be installed as high as possible; it is usually mounted on the ceiling in the engine room or pump room. This vacuum motor does not have to be located next to the sump assembly. We recommend selecting an out-of-the-way location that will allow the discharge-air to be easily plumbed into the engine room air box. (On occasion the Willy Vac will spit small amounts of water, and plumbing the vacuum motor to the air box prevents this water from ending up in the engine room. In addition, plumbing the vacuum motor to the air box makes the system quieter.) The vacuum motor comes with a 20 ft wiring harness.



**c. Relay Box:** Mount the relay box in a dry location. If possible, mount the box so it is visible from the engine room light switch/door. (This aids in seeing the blue auto-mode LED as you leave the engine room.) The relay box comes with a 20 ft. power cord with a molded 115V, 15A molded plug; *it must have a GFCI inline.*



**d. Bilge Sensor and Bilge Pickup:** These two must be mounted very close to one another! They are typically installed at the lowest point in the bilge while the boat is at rest. Mount the bilge sensor as close to the bottom as possible leaving enough room for a finger to get between it and the keel for cleaning. Mount the pick up as close to the bottom as possible but not so close that it chokes down the water flow to the Willy Vac. (This may take some little trial and error. It should be around 1/4" to 3/8".) The bilge sensor comes with a 25 ft wiring harness.

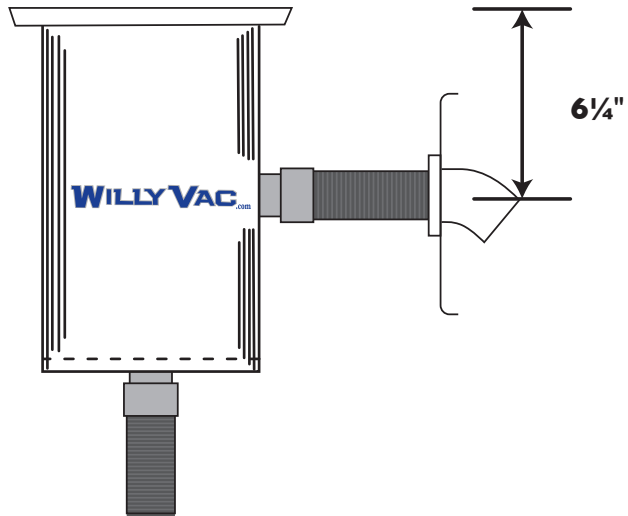
- e. **Hose and Wire Routing:** Keep the [vacuum hose](#) as low as possible. Because the higher the unit has to lift the water, the slower it works. Strap your wires up and out of the water.
  
- f. **Plumb the diverter valve of one discharge overboard:** either through its own thru-hull, or an existing thru-hull. Make sure the thru-hull is large enough to accommodate the flow of water. Especially if the thru-hull is accommodating components like an air conditioner and the Willy Vac. Remember that the Willy Vac can pump 1000 GPH.

## INSTALLATION

Once the location has been determined for the above components, mount them firmly in place and plug in the components to the relay box.

- i. **Vacuum Motor and Air Box Fitting:** It is usually recommended to determine the approximate location of the vacuum motor first. Then, drill a 2½" hole and install the air box dump fitting into the end of the air box, making sure that the elbow is pointing downward. Next, align the vacuum motor to the dump fitting and mount the vacuum motor.

**Figure 3: Vacuum Motor and Air Box Fitting**



**NOTE:** *The vacuum motor will probably be the most difficult component to mount. It will take some measuring and some patience, a helper would be nice as well.*

**Figure 4: Vacuum Motor, Installed**



**TIP:** **If a helper is not available:** mark the ceiling outer perimeter of the location for the vacuum motor with masking tape, get the drill bits and screws ready. Apply a bead of quick dry 5200 around the outer edge of the vacuum motor mounting flange. Using a hot glue gun, apply a liberal amount of hot glue to center of the mounting flange working towards the outside. Now quickly hold the vacuum motor up moving it and pressing it in to place. Hold the motor very still for a couple of minutes until the hot glue has cooled. This will help hold the vacuum motor in place until you can get some screws in it. (Work quickly!)

**⚠ WARNING**

**DO NOT LEAVE THE VACUUM MOTOR SUSPENDED WITHOUT SCREWS. IT WILL FALL!**

- 2. Bilge Sensor and Pickup:** using your wet vac, vacuum out all the water in the bilge and dry the bilge as best you can. Keep in mind that this is the last time you have to deal with your portable wet vac!

Use screws and 5200 to mount the bilge sensor and pickup.

**Figure 5: Bilge Pickup**



- 3. Sump Assembly:** using the mounting feet provided, screw down the sump assembly; it is advisable to install sealant under the feet *but not 5200*, as the unit will need to be removed and turned upside down if the pump needs to be accessed in the future.

**Figure 6: Sump Assembly**



- 4. Manifold Assembly (Optional):** If installing the optional suction valve manifold, once again, mount this as low as possible. Attached to the relay box is a valve-position sensor that will need to be mounted corresponding to the valve with the auto-pickup. This sensor will prevent the unit from turning on in the auto mode if the proper valve is not open.



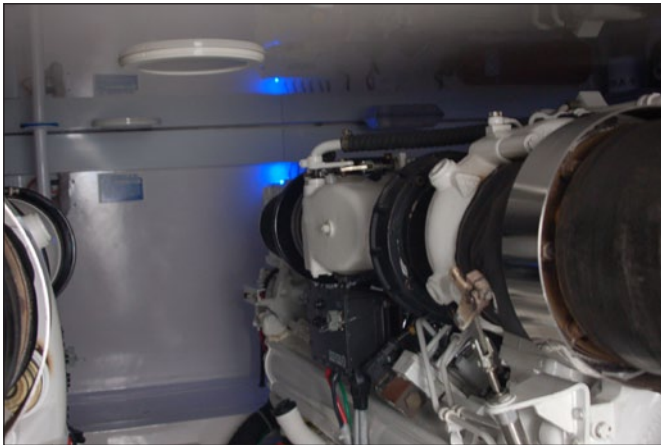
**Figure 7: Manifold Assembly**



- 5. Relay Box:** Mount the relay box and plug in the components. The relay box must be connected to a 120 volt 15 amp GFCI receptacle. You can plug the unit into an engine room outlet or hard wire but *it must have a GFCI inline.*

Once power is supplied to the relay box, the blue LED inside the sump assembly will illuminate. (This light will remain on as long as the relay box has power.)

**Figure 8: Relay Box with Blue LED**



**⚠ CAUTION**

**DO NOT SUPPLY POWER TO THE RELAY BOX UNTIL ALL COMPONENTS ARE MOUNTED AND PLUGGED IN.**



3. Make sure the strainer basket and Plexiglas lid on the sump assembly are properly in place.

**NOTE:** *There is no latch to hold the lid in place, it is critical that the gasket remain free of debris that would prevent the lid from sealing when vacuum is applied.*

**Figure 11: Strainer Basket and Plexiglas Lid**



4. Switch the toggle switch located on the relay box to the ON position.

The vacuum motor will run as long as this switch is ON. However; the liquid pump inside the sump assembly will run only when enough water is present to be picked up and discharged.

On initial start up or after the unit has been drained, it is common for the Willy Vac to take a couple more seconds than usual to purge itself. This is realized by the vacuum motor stalling during liquid vacuuming. Once the pump has purged itself, the vacuum motor will resume running and the system will be fully operational.

**NOTE:** *This could be critical information to remember to prevent a mess if you are using the Willy Vac to keep up with a leak or if you are draining fluid directly into the vacuum hose. We strongly recommend to pre-purge the Willy Vac with some fluid initially to prevent a long delay in the vacuuming process causing a fluid spill.*

**Figure 12: Toggle ON/OFF Switch**



**NOTE:** It is normal for the **vacuum** motor to cycle on and off during maximum water / liquid transferring.

## Automatic Operation

**In this mode the unit will operate like a bilge pump. Use this mode during normal boat storage and operation.**

- a. Open the valve (located on the suction valve manifold) that corresponds with the bilge area fitted with the auto water sensor. This valve is fitted with a switch that will prevent the Willy Vac from turning on automatically if the corresponding valve is closed. Verify that the red light on the sensor illuminates when the valve is opened.

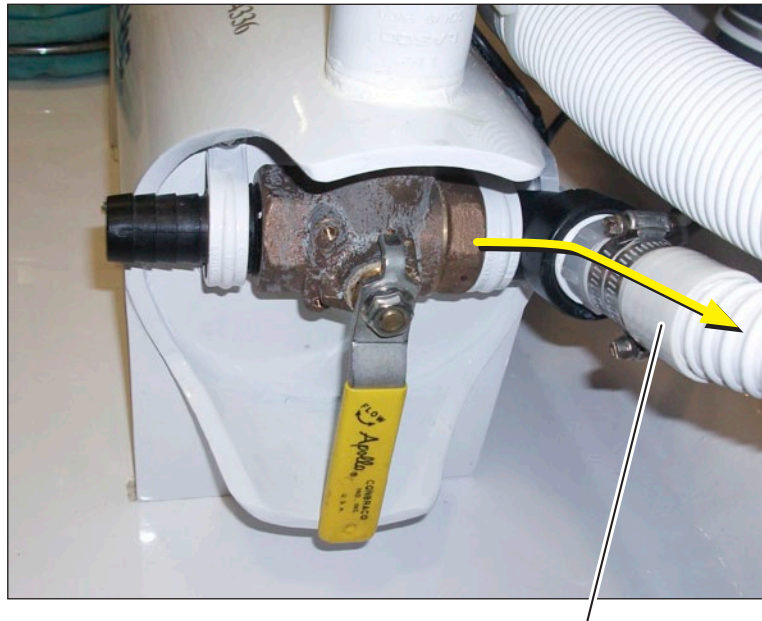
**Figure 13: Manifold Valve Position Sensor**



**NOTE:** Be sure that only one manifold valve is open at any time.

- b. Locate the diverter valve on the sump assembly, turn the handle to the overboard discharge position. See “Figure 14: Diverter Valve” on page 13.

**Figure 14: Diverter Valve**



Overboard Discharge

- c. Switch the relay box toggle switch down to the auto position. The unit should turn on and run for approximately one second and then turn off. At the same time, the blue LED light on the top of the relay box should illuminate.

If no light, check the valve on the manifold if equipped.

If there is water in the bilge compartment that is being monitored, the unit will not turn off until this water has been vacuumed from the bilge.

Once the water has been removed from the water sensor, the Willy Vac will continue to run for approximately fourteen seconds. This should be adequate time to vacuum the remaining water from the bilge and suction hose to prevent the water from draining back down the hose and into the bilge.

## TROUBLESHOOTING

**First things first, now tell me, exactly what were you doing when you broke it? Maybe you should not have done that.**

### *Sensors—Overview*

Most problems encountered with the Willy Vac are due to dirty sensors, and are quickly remedied just by cleaning the sensors.

The Willy Vac uses three highly sensitive liquid sensors. Two are located in the sump assembly and one is located in the bilge. (These are not float switches,

they are sensors with no moving parts.) The sensors are designed to be trouble free and last a very long time, but you WILL need to keep them clean.

These sensors are *intentionally designed to not recognize oil or fuel* to prevent the system from pumping fuel or oil overboard automatically.

When oily water is vacuumed up and run through the system, a filmy residue can form on the sensors and cause them to send false information to the relay box. Therefore, it is important that you know where these sensors are located and how to clean them.

Running small amounts of soap through the Willy Vac from time to time is a good practice. However, be sure to not use too much soap at one time, as the system sees soap suds as water.

### How to Clean the Sensors

**Sensor #1** is the hardest to clean but fortunately, it is the least likely to get dirty.

It is located in the lower section of the sump assembly just behind the lower perforated wall. See [“Figure 1: Legend for Pump Assembly” on page 4.](#)

To clean this sensor, remove the strainer basket and spray the wall with Spray Nine or a similar product (something that cuts grease). While the lid and strainer basket are removed, turn on the unit and spray the wall with a water hose, directing most of the spray to the bottom and to the back of the unit.

**NOTE:** *It is important to turn on the system while you are hosing, so that the Willy Vac will pump the water out as you hose.*

**Sensor #2** is located in the upper section of the sump assembly under or just behind the large hose connecting to the top of the sump assembly. See [“Figure 1: Legend for Pump Assembly” on page 4.](#)

To clean this sensor, remove the vacuum hose from the hose barb on the sump. Then loosen the wing nut on the yellow plug and remove it. (This plug looks identical to the one at the bottom of the sump assembly.) Using an old toothbrush or a similar tool, clean the sensor with Spray Nine and rinse.

It is not necessary to run the unit when cleaning this sensor.

**Sensor # 3** is located in the bilge very near the pickup.

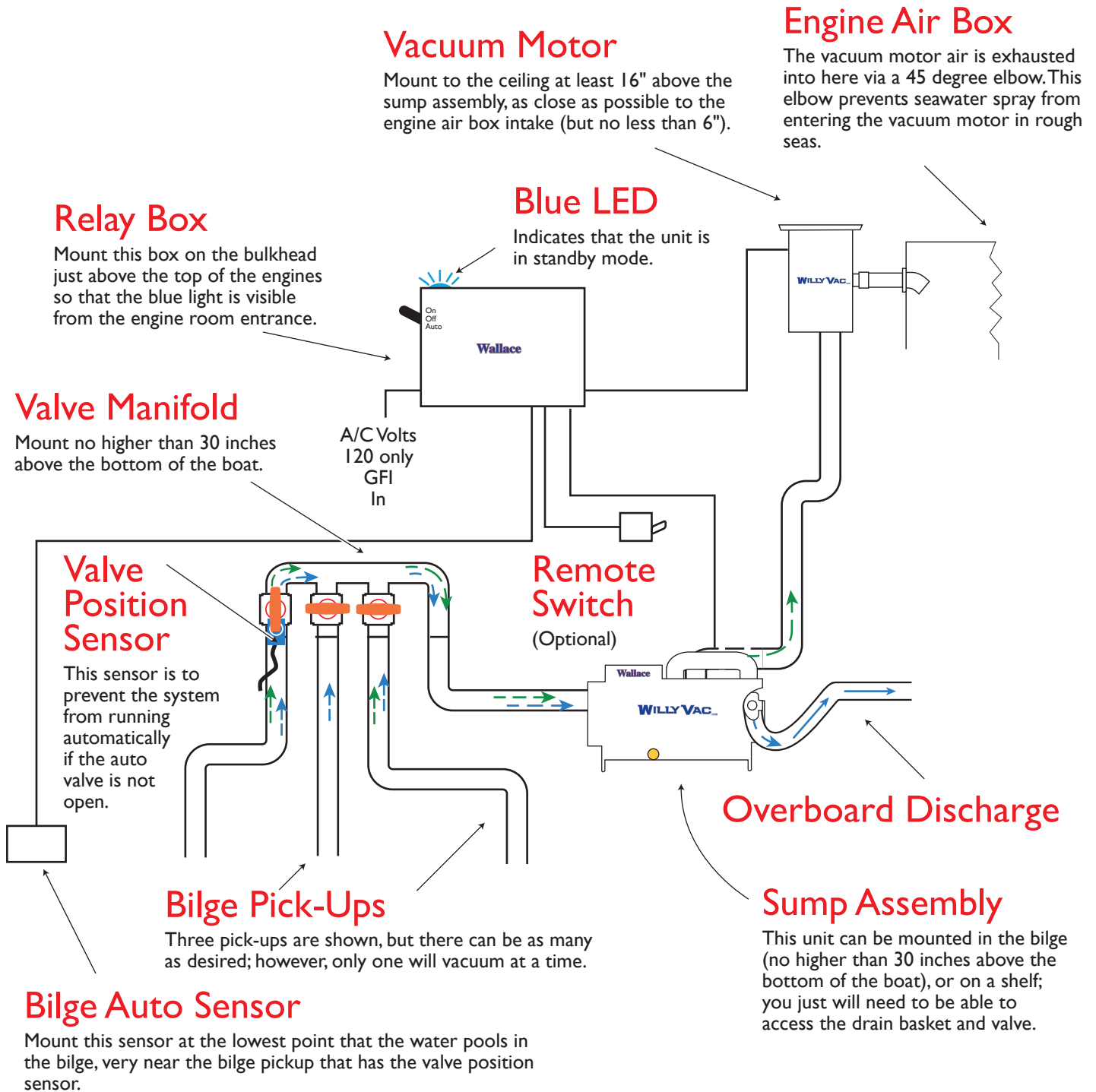
Because this sensor controls the on and off when the Willy Vac is in AUTO mode, this sensor is the most important to keep clean. So, be sure to keep this sensor clean!

To clean this sensor, wipe the bottom of the sensor with a soapy rag or small brush and rinse.

If, after cleaning all of the sensors and you are confident that power is supplied to the Willy Vac relay box, and the system still fails to work properly, please call Willy Vac Tech support at bol. We will assist you in getting your Willy Vac up and running as soon as possible.

# WILLY VAC.com

## PLUMBING AND WIRING OVERVIEW



## Pipe and Hose Sizes

For long horizontal runs, it is acceptable to use 1 1/4" PVC schedule 40 pipe. The flexible vacuum and discharge hose is 1 1/4" pipe. However, the hose that attaches to the sump assembly to the vacuum motor is 1 1/2" hose.

**WILLY VAC**.com

**info@WillyVac.com**

**(843) 693-4336**

Designed and Published by Verity Yacht Publications  
[www.verityyachtpubs.com](http://www.verityyachtpubs.com)